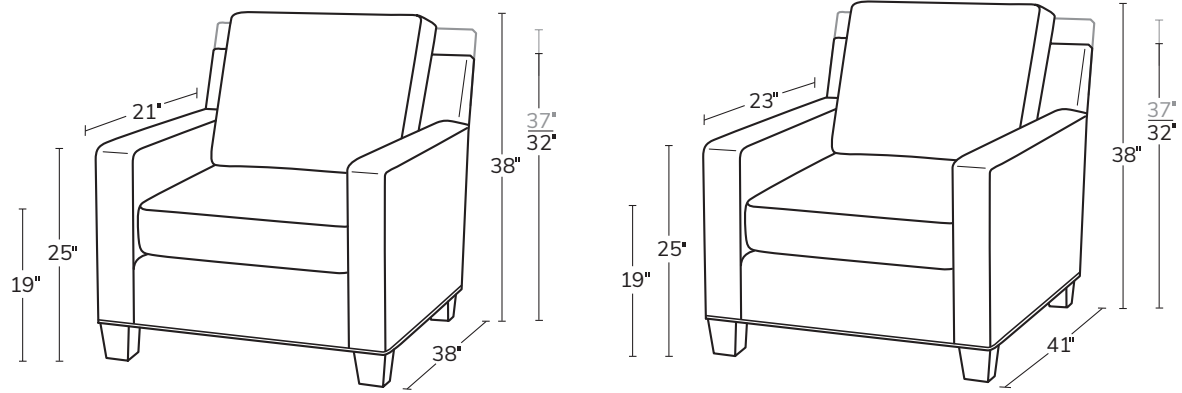


CUSTOM CHOICES

We make creating furniture in fabric or leather simple. In five easy steps you select your depth, frame, arm, cushion and base styles. Our skilled craftspeople will bring your design to life in short order.

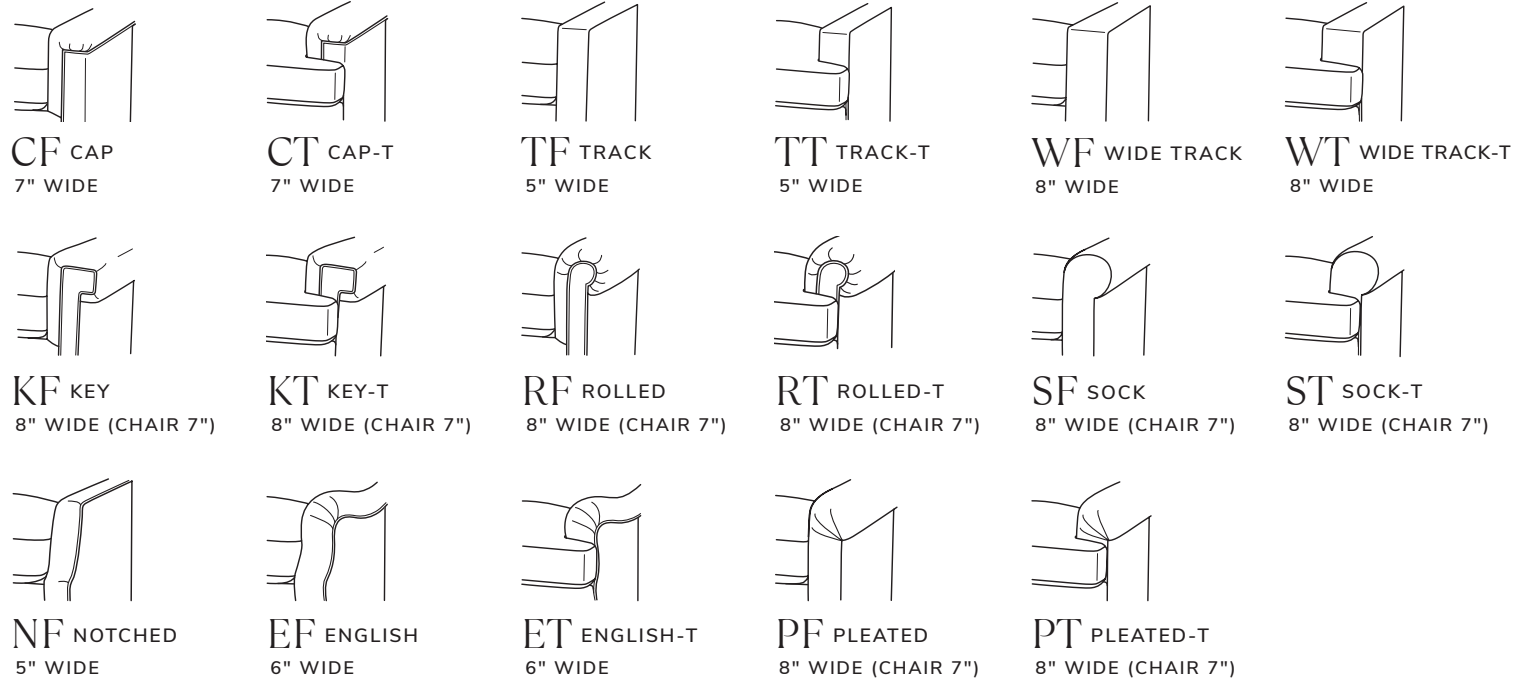
STEP 1 SELECT DEPTH



BACK RAIL HEIGHTS:
A 32" back rail is standard. Increase the back rail height to 37" for no charge. Simply option high back rail.

STEP 2 SELECT STYLE *See reverse side for options*

STEP 3 SELECT ARM & SEAT CUSHION

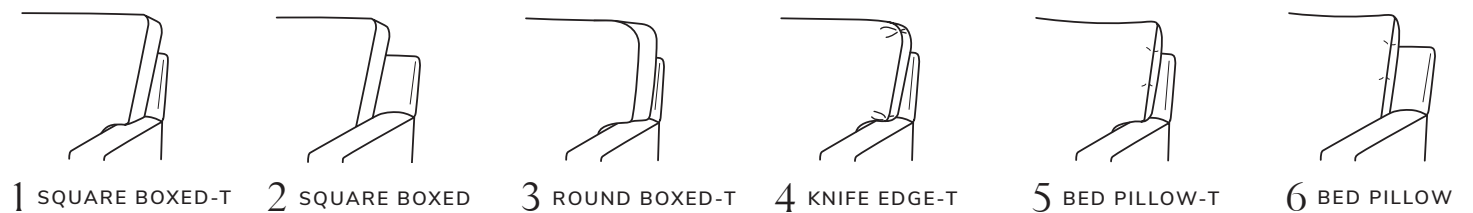


Standard Cushion: Spring Down seat with simple seam

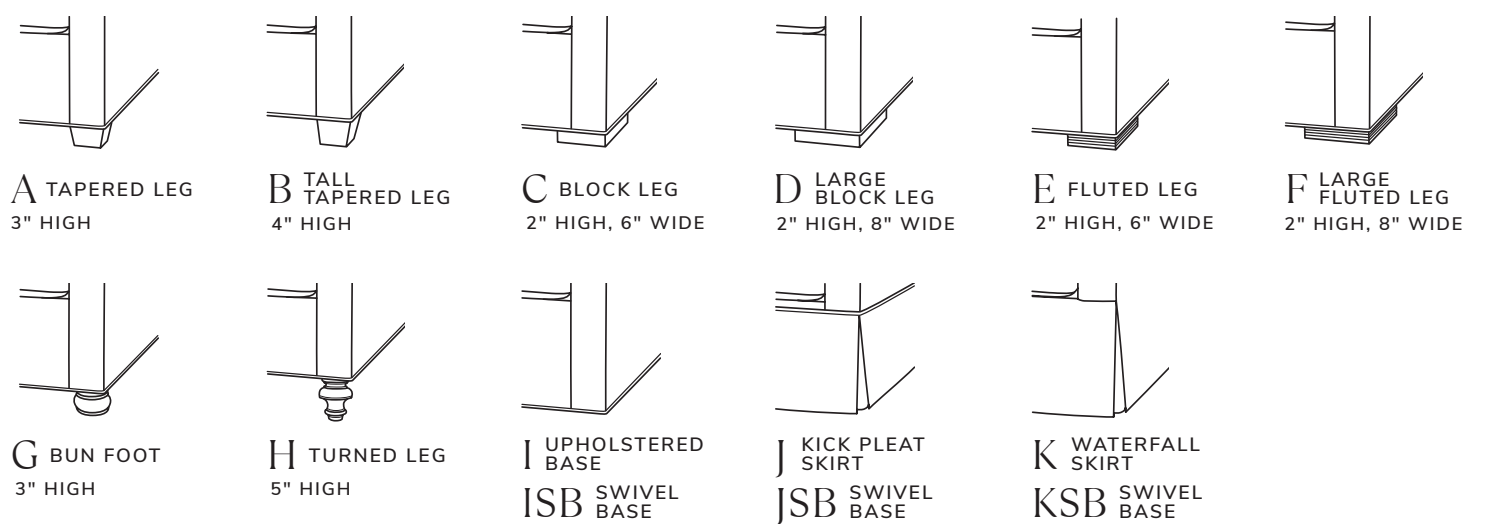
NOTE: Arm choice determines overall width (see reverse side)

STEP 4 SELECT BACK CUSHION

Standard Cushion: Blend Down back with simple seam



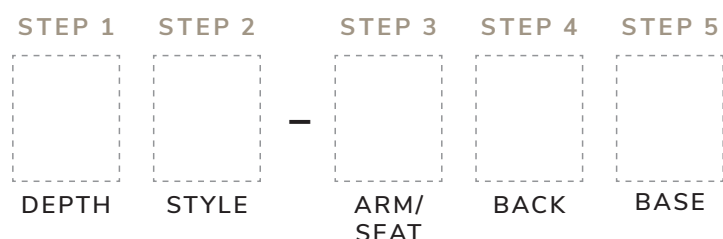
STEP 5 SELECT BASE



Standard Finish: Sussex

NOTE: Sleepers not available with base B or H (see reverse side)

YOUR CUSTOM CHOICES STYLE NUMBER



MASSOUD
MASSOUDFURNITURE.COM

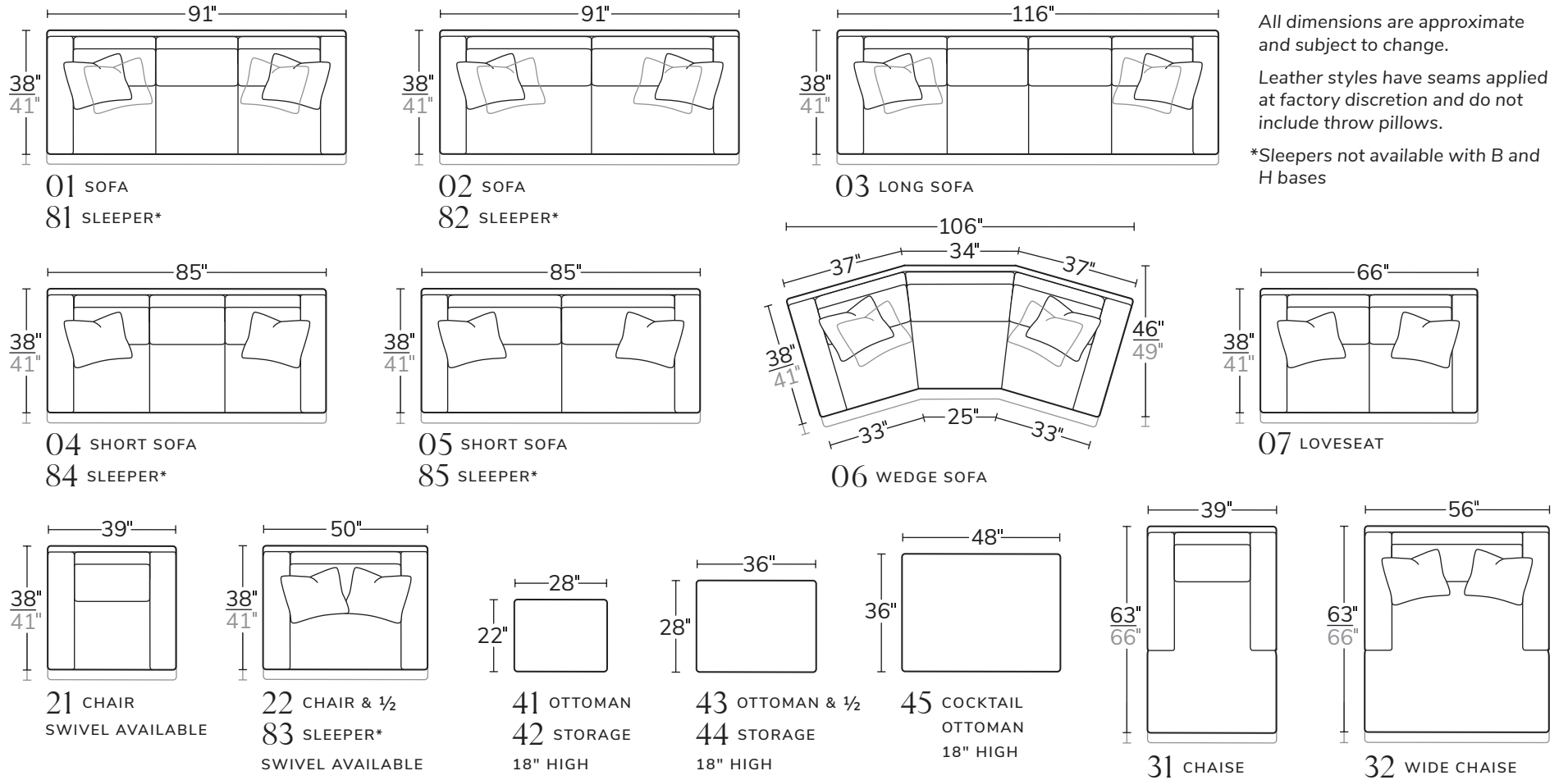
Sofa Shown
S02-TF2B

S STANDARD DEPTH 38". 02 TWO CUSHION SOFA, TF TRACK ARM, 2 SQUARE BOXED BACK, B TALL TAPERED LEG
Complementary options shown: Contrasting fabric on throw pillows and Ash finish

CUSTOM CHOICES

STEP 2
SELECT STYLE **S** Standard depth 38" dimensions and 19" pillows shown in **BLACK** | OVERALL D38 H38 | INSIDE D21 | ARM H25 | SEAT H19
M Plush depth 41" dimensions and extra 19" pillows shown in **GRAY** | OVERALL D41 H38 | INSIDE D23 | ARM H25 | SEAT H19
 All pillows are 19" x 19" and standard with simple seam. SCALE 1/4" = 1'

FURNITURE STYLES Drawings are based on an 8" wide track arm and also apply to key, pleated, rolled and sock arm styles, except the 21 chair which is 2" less. Please deduct from the width of the following arm styles: cap - 1" per arm; English - 2" per arm; notched and track - 3" per arm.



SECTIONAL STYLES Drawings are based on an 8" wide track arm and also apply to key, pleated, rolled and sock arm styles. Please deduct from the width of the following arm styles: cap - 1" per arm; English - 2" per arm; notched and track - 3" per arm.

